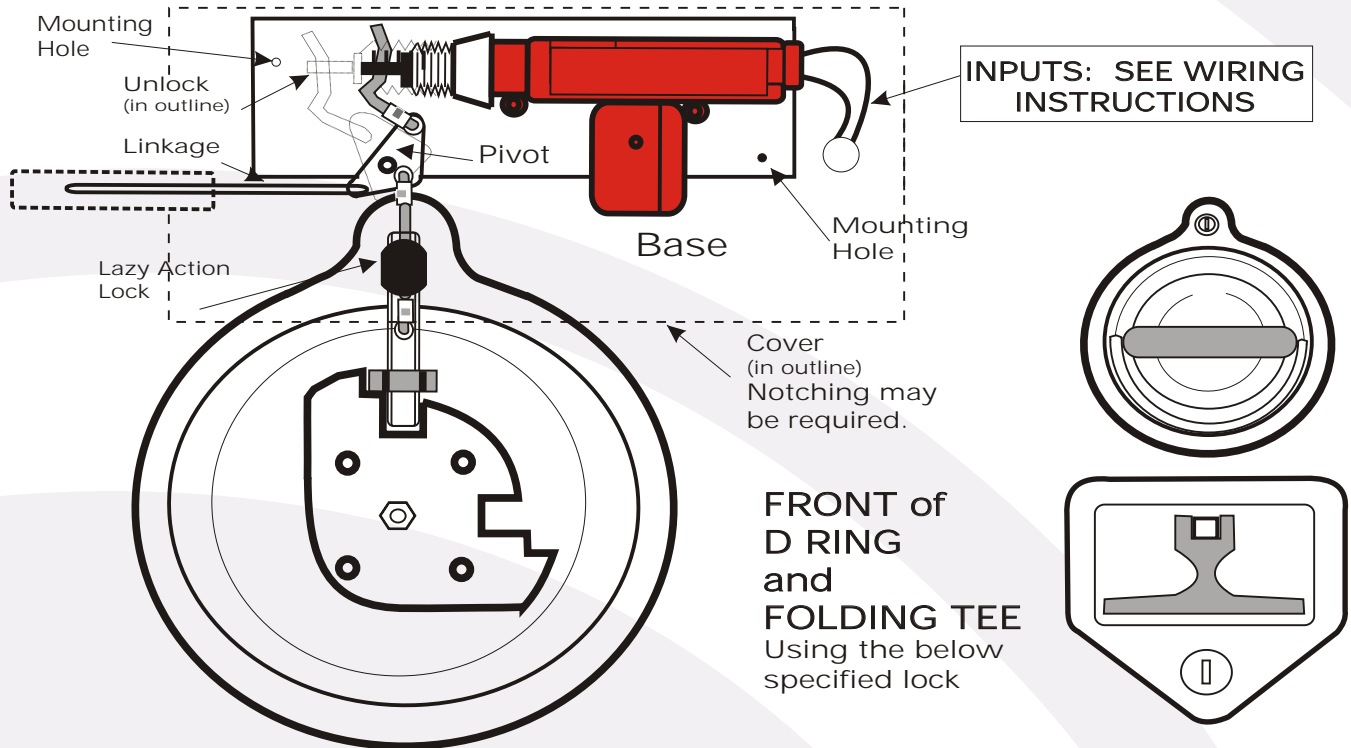


# PLI-B or C

Compartment Door

PLI-B, PLI-C (Sliding Bolt) with Cover



## CAUTION:

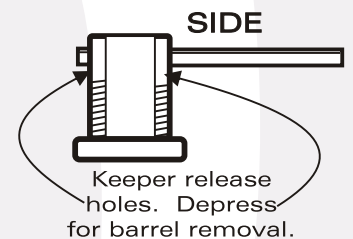
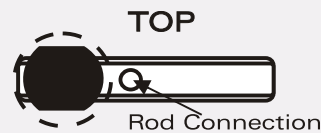
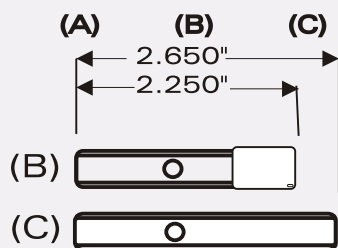
DO NOT CLOSE ANY DOOR UNTIL KEY OVERRIDE IS TESTED & WORKING.

### LOCK REPLACEMENT RECOMMENDATIONS

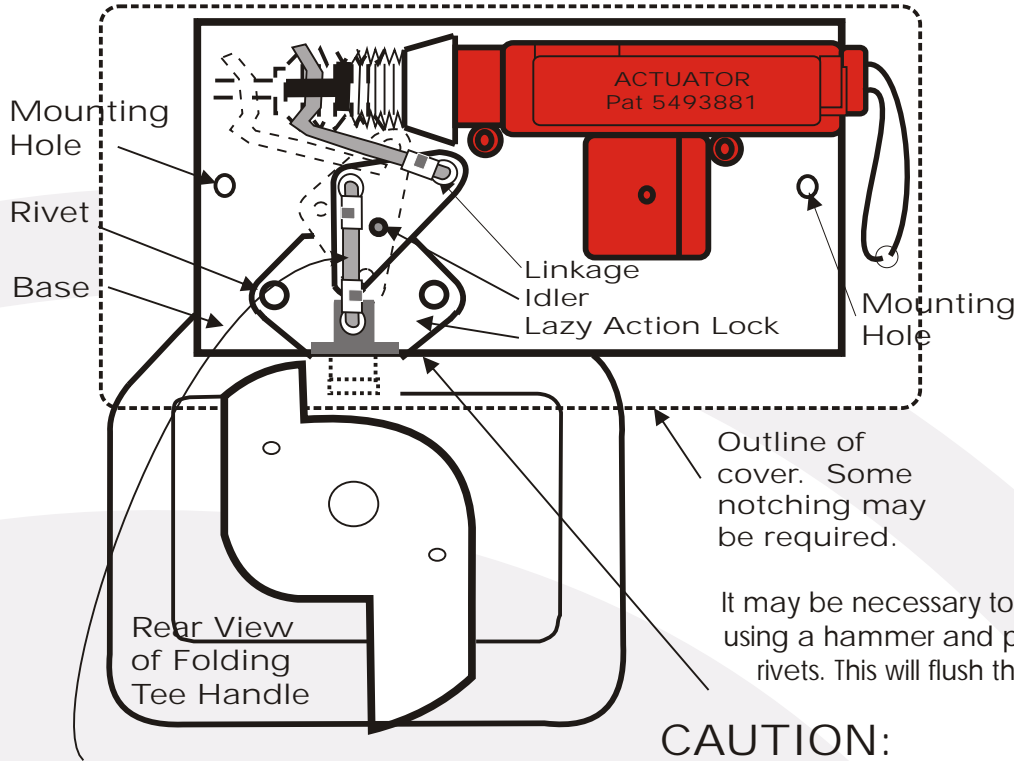
1. Remove existing lock from back by depressing one of the keepers shown below.  
(The keeper release is found on the other side of the keys blades.)
2. Reinstall the provided Lazy Action Lock the same way.
3. Make final linkage to desired length. This will assist in the final location of the base.  
(Never exceed 8" of rod length to assure proper latching.)
4. Keep final linkage parallel with locking bolt for correct operation.
5. Be sure key override is working correctly before doors are closed.
6. The use of silicone lubrication is recommended.

Retrofit I.D. Chart  
One of the three sliding lock bolts will be included with PLI. Specify B or C when ordering. For Rivet Style See (PLI-D).

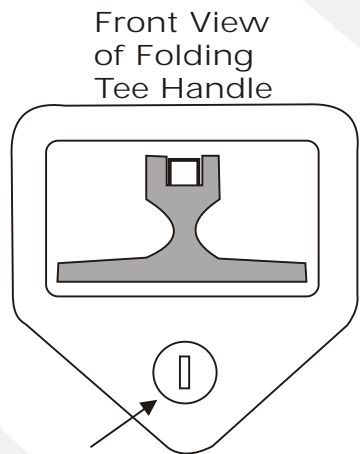
### SLIDING BOLT I.D.



## PLI-D (Rivet Style) with Cover



INPUTS: SEE WIRING INSTRUCTIONS



Outline of cover. Some notching may be required.

It may be necessary to strike the rear of the riveted lock using a hammer and piece of hardwood bridged over rivets. This will flush the lock to the outside of latch.

NOTE: Final linkage will need to be bent for final pivot to lock connection on.

**CAUTION:**  
DO NOT CLOSE ANY DOOR UNTIL KEY OVERRIDE IS TESTED & WORKING.

- LOCK REPLACEMENT RECOMMENDATIONS**
1. Remove existing lock from back by depressing one of the keepers shown below. (The keeper release is found on the other side of the keys blades.)
  2. Reinstall the provided Lazy Action Lock the same way.
  3. Make final linkage to desired length. This will assist in the final location of the base. (Never exceed 8" of rod length to assure proper latching.)
  4. Keep final linkage parallel with locking bolt for correct operation.
  5. Be sure key override is working correctly before doors are closed.
  6. Some notching of the cover is required.
  7. The use of silicone lubrication is recommended.

Retrofit I.D. Chart  
The lock shown is the standard rivet style lock. The replacement **Lazy Action** uses the same rivet installation as original.

